

CERTIFICATION



HACCP International



ISO9001

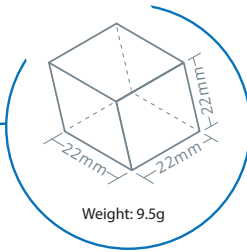
ICE MATE



SRM-80A ICE MAKER

ICEMATE is committed to bringing high-efficiency / energy-saving, and high quality ice-making product to people who have dreams and desire to create their own business with the best scientific technology and manufacturing technology.

DICE



KEY FEATURES

SAFETY AND HYGIENE ASSURED ICE MACHINE



NSF Certified Material for Bin and Scoop



Detachable Parts for Easy Cleaning



Air Filter Prevent Dust from Entering



Stainless Steel

ENERGY & WATER SAVING, QUIET OPERATION



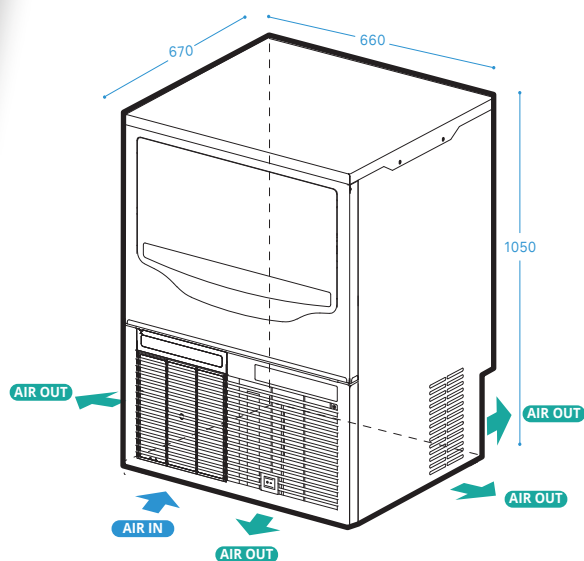
Energy & Water Saving, Quiet Operation

EASY MAINTENANCE

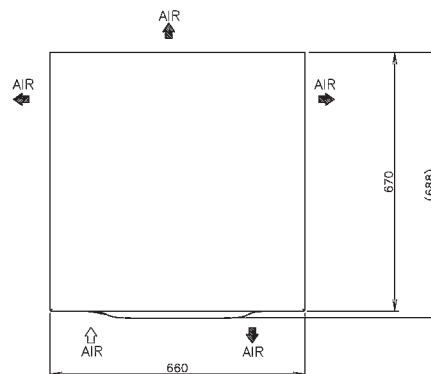


IoT

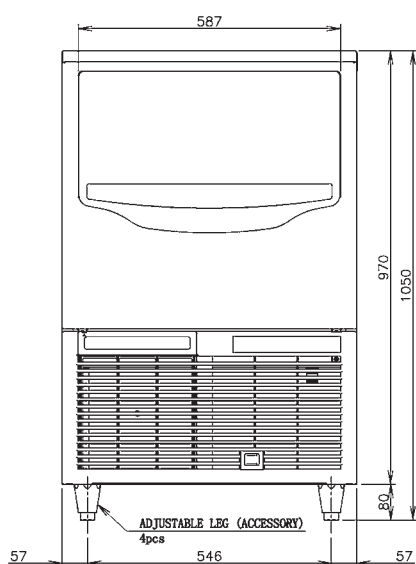




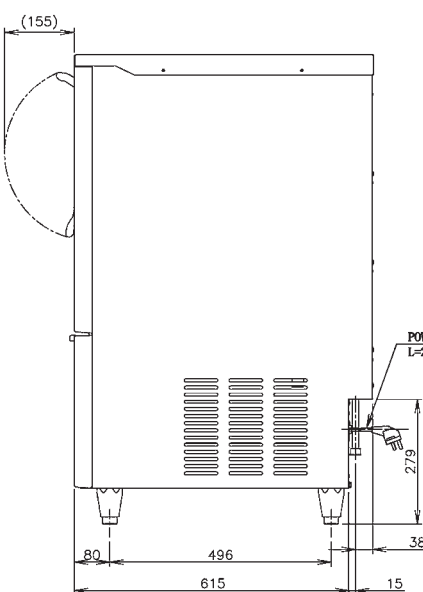
TOP SIDE



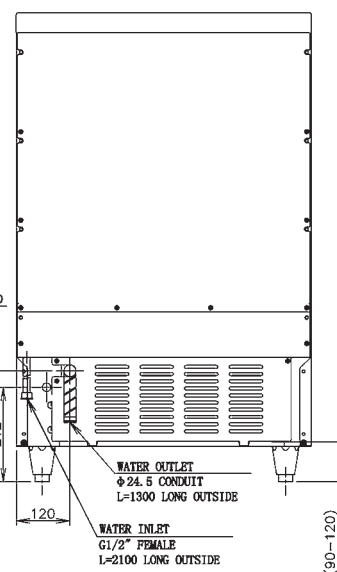
FRONT SIDE



RIGHT SIDE



BACK SIDE



SPECIFICATIONS

Ice Dimensions (W x D x H)	22 x 22 x 22 mm	Water Consumption per 24H	(AT32°C/WT21°C) 0.13m ³ (2.3L / kg Ice)
Outside Dimensions (W x D x H)	660 x 670 x 1050 mm	Ice Production Freeze Cycle Time	(AT21°C/WT15°C) 16 min
Package Dimensions (W x D x H)	Carton: 785 x 860 x 1100 mm	Ice Production per Cycle	(AT21°C/WT15°C) Approx. 0.81kg / 80 pcs
Weight (Net / Gross)	56.5 kg / 63 kg	OPERATING CONDITIONS	
Amperage / Starting Amperage	3.2A / 15.0A	Voltage Range	198 - 254 V
Electrical Consumption	(AT32°C / WT21°C) 450 W	Ambient Temperature	5 - 38°C
Refrigerant Charge	R404A / 230g	Water Supply	5 - 32°C
Ice Storage Capacity	Maximum 31.4kg	Water Supply Pressure	0.07 - 0.55 Mpa (0.7 - 5.5 bar)
Ice Production per 24H	(AT10°C / WT10°C) Approx. 80 kg (AT21°C / WT15°C) Approx. 72 kg (AT32°C / WT21°C) Approx. 57 kg	Supply Voltage	1/220 - 240V / 50Hz



HOSHIZAKI

HOSHIZAKI SINGAPORE PTE. LTD.

18 Boon Lay Way #01-102 Tradehub21, 609966

TEL 6225 2612 | FAX 6225 3219 | www.hoshizaki.com.sg